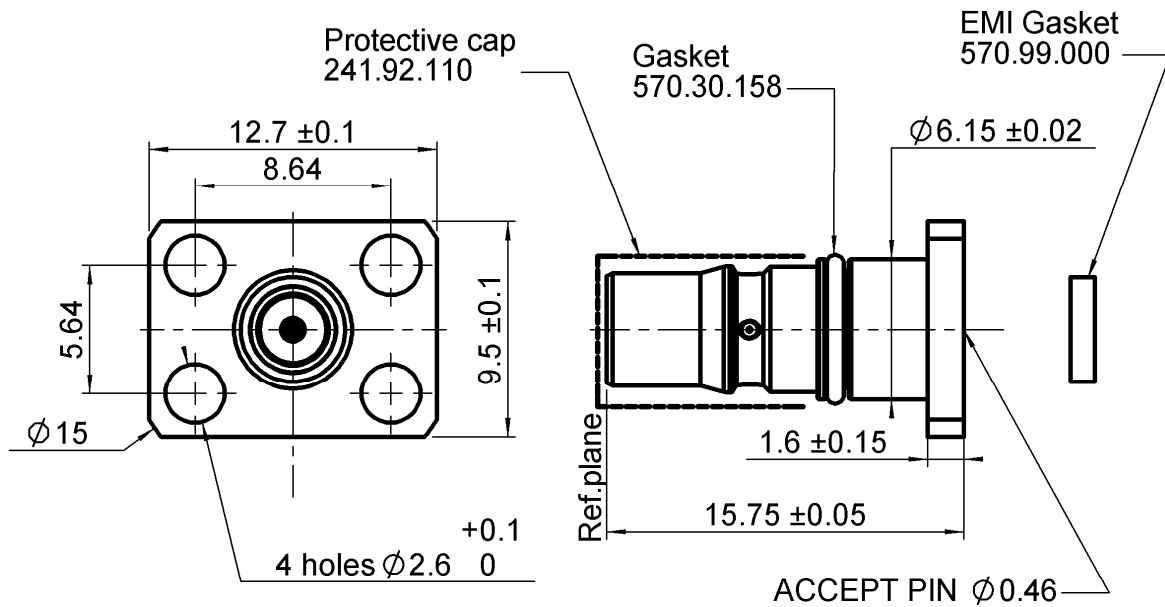


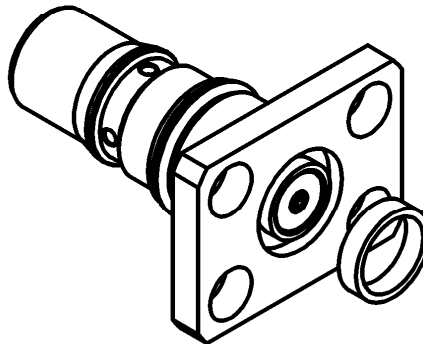
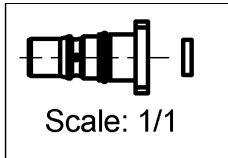
**RECTANGULAR FLANGE RECEPTACLE  
FOR PIN 0.46MM WITH EMI GASKET**

**R324.434.L01**

Series : QRE



ASPECT MAT  
MAT ASPECT



All dimensions are in mm.



| COMPONENTS     | MATERIALS                | PLATING ( $\mu\text{m}$ ) |
|----------------|--------------------------|---------------------------|
| BODY           | STAINLESS STEEL (316L)   | PASSIVATED                |
| CENTER CONTACT | BERYLLIUM COPPER         | GOLD 2.5 OVER NICKEL 2    |
| OUTER CONTACT  | -                        | -                         |
| INSULATOR      | PTFE                     | -                         |
| GASKET         | FLUOROSILICON            | -                         |
| OTHERS PARTS   | SILICONE CuAg(conductor) | -                         |
| -              | -                        | -                         |
| -              | -                        | -                         |

Issue : 0920 B

In the effort to improve our products, we reserve the right to make changes judged to be necessary.



**RECTANGULAR FLANGE RECEPTACLE  
FOR PIN 0.46MM WITH EMI GASKET**

**R324.434.L01**

Series : QRE

**PACKAGING**

| Standard   | Unit              | Other             |
|------------|-------------------|-------------------|
| <b>100</b> | <b>'W' option</b> | <b>Contact us</b> |

**SPECIFICATION**

**ELECTRICAL CHARACTERISTICS**

|                                 |                |                             |
|---------------------------------|----------------|-----------------------------|
| Impedance                       |                | <b>50</b> Ω                 |
| Frequency                       |                | <b>0-12.4</b> GHz           |
| VSWR                            | <b>*1.02</b> + | <b>0,0050</b> x F(GHz) Maxi |
| Insertion loss                  |                | <b>0.07</b> √F(GHz) dB Maxi |
| RF leakage                      | - (            | <b>**</b> - F(GHz)) dB Maxi |
| Voltage rating                  |                | <b>***495</b> Veff Maxi     |
| Dielectric withstanding voltage |                | <b>1000</b> Veff mini       |
| Insulation resistance           |                | <b>5000</b> MΩ mini         |

**ENVIRONMENTAL**

|                       |                     |
|-----------------------|---------------------|
| Operating temperature | <b>-55/+165</b> ° C |
| Hermetic seal         | <b>NA</b> Atm.cm3/s |
| Panel leakage         | <b>NA</b>           |

**OTHER CHARACTERISTICS**

Assembly instruction **NA**

Others :

- \*Coaxial transmission line only
- \*\* RF leakage: 95 @ 3GHz / 80 @ 12.4GHz
- \*\*\* Working voltage at sea level

For information :

\_O-ring gasket must be changed after 50 mating cycles

**MECHANICAL CHARACTERISTICS**

|                            |                      |
|----------------------------|----------------------|
| Center contact retention   |                      |
| Axial force – Mating end   | <b>27</b> N mini     |
| Axial force – Opposite end | <b>27</b> N mini     |
| Torque                     | <b>2.8</b> N.cm mini |

Recommended torque

|           |                |
|-----------|----------------|
| Mating    | <b>NA</b> N.cm |
| Panel nut | <b>NA</b> N.cm |

|             |                        |
|-------------|------------------------|
| Mating life | <b>100</b> Cycles mini |
| Weight      | <b>2,7500</b> g        |

Issue : 0920 B

In the effort to improve our products, we reserve the right to make changes judged to be necessary.

